



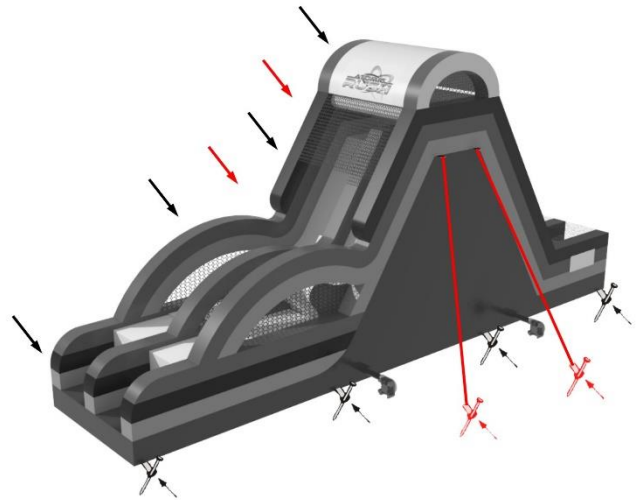
# Game Specifications: Atomic Drop

Inflated DIMS.	45'L x 11'W x 21'H
Utility Safety Zone	20' Clearance
Unobstructed Zone	5' Clearance
Game Weight	717 lbs.
Blower	2-1.0 high output or 2-1.5 HP (min.500cfm) (min. 4.5" WG)
Wind Speed Operation	15 mph MAX
Tie Down Rings	8
Tie Down Ropes	4

### Player Requirements:

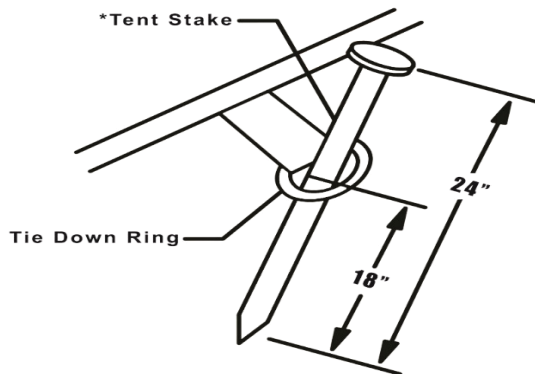
Max. Players	_____	2
Max. Player Height	_____	N/A
Min. Player Height	_____	34"
Max. Player Weight	_____	250 lbs.
Operator Required	_____	1

-  (Indicates Anchor Point Locations)
-  (Indicates Rope Anchor Point Locations)



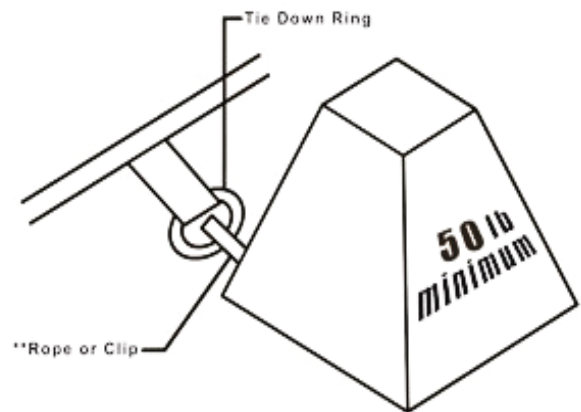
## Anchoring Requirements: 12 Tent Stakes or (12) 50 lbs. Weights

### Soft Ground Anchoring



\*Alloy steel with minimum 5/8" dia. stake and 1" dia. head

### Hard Ground Anchoring



\*\*Minimum work load rating of 500 lbs.



NOTE: Anchoring weights and stakes are intended to keep inflatable from shifting during normal operation. They are not intended to anchor inflatable during high winds. DO NOT operate inflatable in winds above 15 mph. If winds exceed 15 mph during operation, evacuate and deflate immediately.

**hec**  
WORLDWIDE  
Inflatables

10577 Rocket Blvd., Suite C, Orlando, FL 32824

Toll Free: 800-354-1183

Fax: 407-563-5493

[www.hec-worldwide.com](http://www.hec-worldwide.com) [info@hec-worldwide.com](mailto:info@hec-worldwide.com)