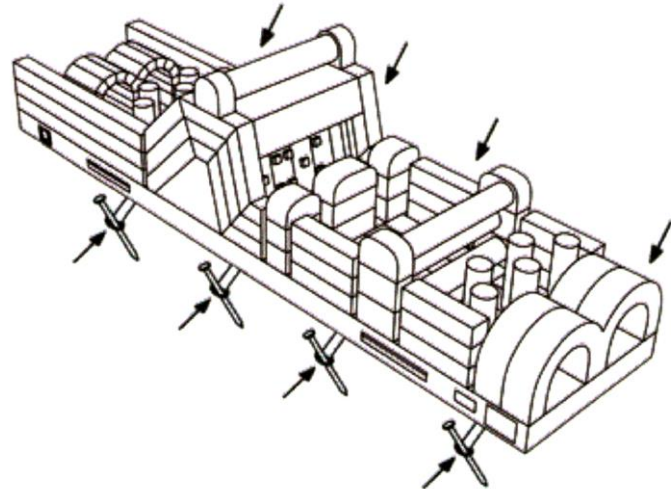


Game Specifications: Obstacle Course 40'

Inflated DIMS.	40'L x 10'W x 10'H
Utility Safety Zone	20' Clearance
Unobstructed Zone	5' Clearance
Game Weight	453 lbs.
Blower	1-1.5 HP (min.500CFM) (min. 4.5" WG)
Wind Speed Operation	15 mph MAX
Tie Down Rings	8
Tie Down Ropes	N/A

Player Requirements:

Max. Players _____	2
Max. Player Height _____	N/A
Min. Player Height _____	34"
Max. Player Weight _____	250 lbs.
Operator Required _____	2



→ (Indicates Anchor Point Locations)

Anchoring Requirements: 8 Tent Stakes or (8) 50 lbs. Weights

Soft Ground Anchoring	Hard Ground Anchoring
*Alloy steel with minimum 5/8" dia. stake and 1" dia. head	**Minimum work load rating of 500 lbs.



NOTE: Anchoring weights and stakes are intended to keep inflatable from shifting during normal operation. They are not intended to anchor inflatable during high winds. DO NOT operate inflatable in winds above 15 mph. If winds exceed 15 mph during operation, evacuate and delay immediately.

