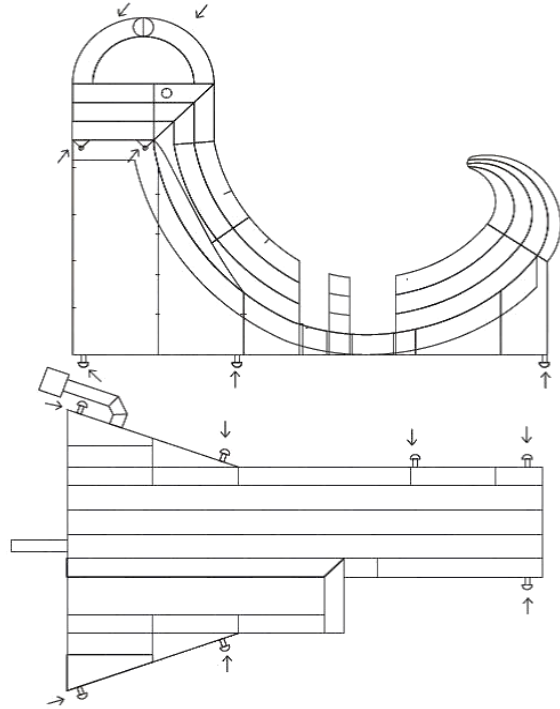


Game Specifications: Rampage

| | |
|----------------------|---|
| Inflated DIMS. | 30'L x 18'W x 21'H |
| Utility Safety Zone | 20' Clearance |
| Unobstructed Zone | 5' Clearance |
| Game Weight | 512 lbs. |
| Blower | 1-1.0 high output or 1-1.5 HP (min.500cfm) (min. 4.5" WG) |
| Wind Speed Operation | 15 mph MAX |
| Tie Down Rings | 7 |
| Tie Down Ropes | 4 |

Player Requirements:

| | | |
|--------------------|-------|----------|
| Max. Players | _____ | 2 |
| Max. Player Height | _____ | N/A |
| Min. Player Height | _____ | 36" |
| Max. Player Weight | _____ | 200 lbs. |
| Operators Required | _____ | 1 |



➔ (Indicates Anchor Point Locations)

Anchoring Requirements: 11 Tent Stakes or (11) 50 lbs. Weights

Soft Ground Anchoring

The diagram shows a tie-down ring attached to a rope, which is then secured to a tent stake driven into the ground. The distance from the ring to the stake is 18 inches, and the total length of the stake is 24 inches.

*Alloy steel with minimum 5/8" dia. stake and 1" dia. head

Hard Ground Anchoring

The diagram shows a tie-down ring attached to a rope or clip, which is then secured to a 50 lb minimum weight (sandbag or similar) placed on the ground.

**Minimum work load rating of 500 lbs.



NOTE: Anchoring weights and stakes are intended to keep inflatable from shifting during normal operation. They are not intended to anchor inflatable during high winds. DO NOT operate inflatable in winds above 15 mph. If winds exceed 15 mph during operation, evacuate and delay immediately.

