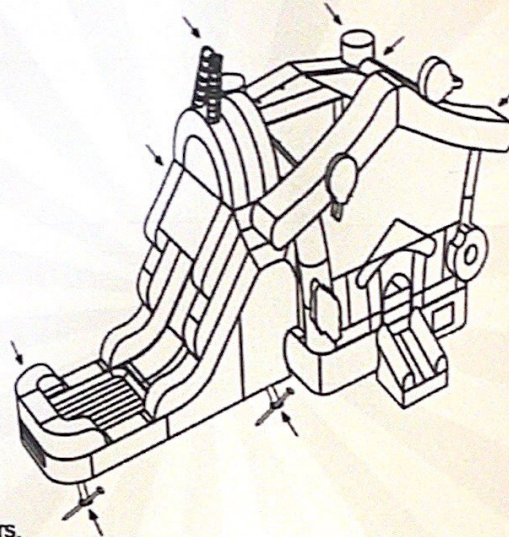


Game Specifications: Candy House Combo Wet/Dry-V-SI

Inflated DIMS.	30'L x 15'W x 16'H
Deflated DIMS.	51"L x 36"W x 37"H
Utility Safety Zone	20' Clearance
Unobstructed Zone	5' Clearance
Game Weight	131 lbs
Blower	1 - 1.5HP(min. 500CFM)
Wind Speed Operation	15 mph MAX
Tie Down Rings	8
Tie Down Ropes	N/A

Player Requirements:	6
Max. Players	N/A
Max. Player Height	34"
Min. Player Height	180 lbs
Max. Player Weight	

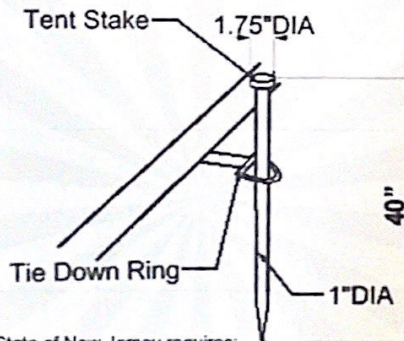


Do not use extension cords for outside use on blowers.

➔ (Indicates Anchor Point Locations)

Anchoring Requirements: 8 Anchor Stakes

Ground Anchoring



The State of New Jersey requires:
36" embedment depth for the stakes.

Do Not:

- * Operate in winds exceeding 15 mph!
- * Operate without an attendant present!
- * Inflate Or Use This Inflatable Without First Securing To Ground . Use Stakes At All Tethering And Anchor Points.
- * Pound Stakes Into Ground Without First Verifying Gas, Water, & Electrical Locations With Local Utility Companies.
- * Operate in damp or wet environments!
- * Allow people or riders on the inflatable rides if they consumed alcohol or illicit drugs!
- * Ride or play on the inflatables if you are under medication that would impair your judgement!
- * Run to enter the inflatable rides. Starting line is 36 inches from the entry of the inflatable rides. Enter inflatable rides from a standing position only!
- * Use Silly String On Unit.



Note: Stakes are intended to keep inflatable from shifting during normal operation. They are not intended to anchor inflatable during high winds. DO NOT operate inflatable in winds above 15mph. If winds exceed 15mph during operation, evacuate and deflate immediately.



Dawangjia Aishan Industrial Park, Yanghe Town, Jiaozhou, Qingdao, Shandong, China 266321